



Generation Litter Bin

The Generation 50 litter bin is available with a side or top opening lid. The base can be freestanding or surface mounted. The 114 litre capacity receptacles are made of ipe, jarrah, and domestically sourced, thermally modified ash; steel; and a black polyurethane base and lid. Lids and side panels are finished with Pangard II polyester powdercoat. The receptacle liner is black roto-molded polyethylene.

For indoor use, wood panel options are jarrah and domestically sourced, thermally modified ash with a clear, catalysed acrylic lacquer finish.

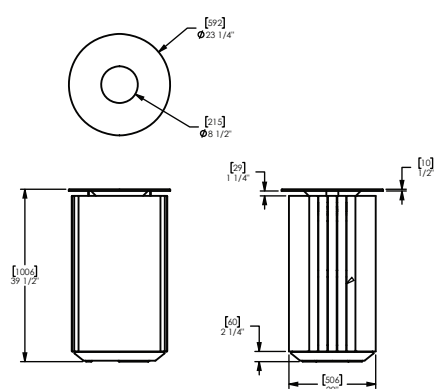
Fixing Method

Surface Mount / Free Standing

Dimensions

Dia: 590mm
H: 1003mm / 1041mm
Capacity: 114l
Weight: 50kg

Top Opening



Side Opening

