



TERÄS BN / BNA Park Bench

The TERÄS park bench features a lightweight and colourful design and creates an appealing seating spot in any setting. The bench can seat two – or three and it is ideal for parks, courtyards and other evocative urban spaces.

This bench is available both with and without armrests. The armrest curves elegantly from back to seat, provides improved seating comfort and makes the bench easier to use for all ages and physical abilities.

The TERÄS range is durable for both indoor and outdoor use. The materials and design of the range make the furniture suitable for frequent use in all kinds of settings, and maintenance is easy. The furniture is powder-coated steel and aluminium and simply needs wiping down with a damp cloth, regardless of whether it is sited indoors or out.

The design of TERÄS lends itself to bright colours, and the items in the range are available in a selection of colours, which work well with the Nordic simplicity of the metal furniture. We use powder coating, which delivers a fine-grained surface texture. The products are sold separately, so colours can be combined as you choose. See the standard colours in the fact box or on the datasheet.

The steel components of TERÄS are always hot-dip galvanised before being powder-coated. This provides double protection against rust.

The frame of the TERÄS park bench is hot-dip galvanised steel. The bench is a reasonable weight and so is not susceptible to being blown over by the wind or easy to walk off with. The seat comes in a choice of steel or aluminium, depending on whether you want a lighter or heavier option.

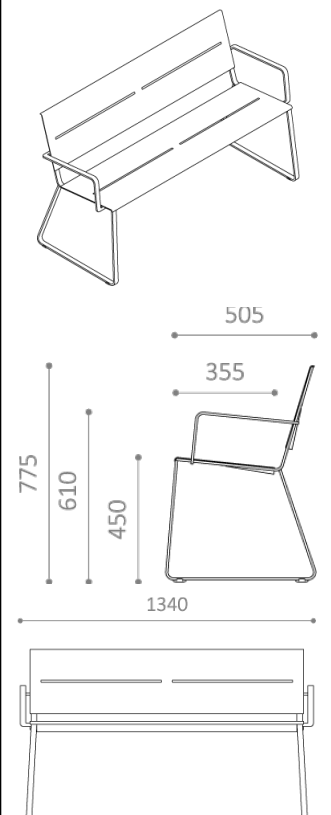
Materials

Frame: Powder-coated, hot-dip galvanised steel

Seat: Powder-coated, aluminium

Dimensions

L: 1240 - 1390 mm
 W: 505 mm
 H: 775 mm
 Weight: 24-33 kg



(Technical Drawings available on request)

