



## COMFORT Bench

It is the classic bench for urban spaces and parks and as its name implies, this bench is all about comfort. The slats and ergonomic design of the seat and back provide the user with plenty of support and it is extremely comfortable to sit on.

Comfort is available with or without a backrest. If you do choose the model with armrests for your urban space, this would benefit groups such as the elderly who would find it easier to get up from the bench again.

This bench is designed and manufactured in Denmark, made of good, strong, resistant materials. The frame is solid and quite sturdy. Slats are screwed on from the reverse side, so the appearance of the front of the bench is smooth and clean, enhancing the attractive design. The frame is made of hot-dip galvanised steel eventually powder-coated in your choice of RAL colours. The steel frame is always made of hot-dip galvanised steel, even if you choose the powder-coated version.

Hot-dip galvanising has several advantages: Steel is an extremely tough material and hot-dip galvanisation ensures a highly durable surface that repairs any minor damage itself. In addition, hot-dip galvanised steel requires no maintenance and lasts much longer.

The seat and back are covered with untreated FSC®-certified mahogany.

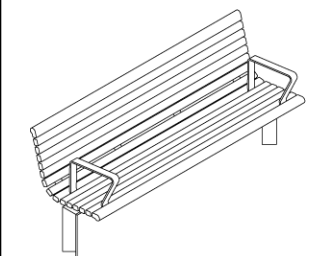
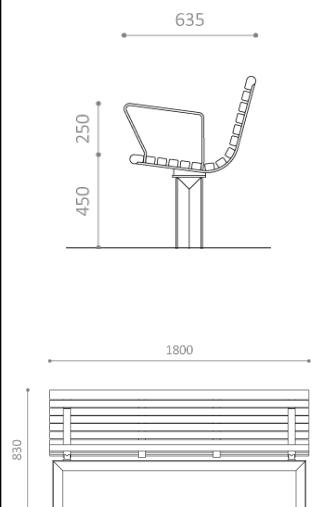
### Materials

Frame: Hot-dip galvanised steel; Powder Coated Hot-dip galvanised steel

Seat: Untreated FSC®-certified mahogany

### Dimensions

B: 1800 mm  
W: 605 - 635 mm  
H: 830 mm



(Technical Drawings available on request)

