

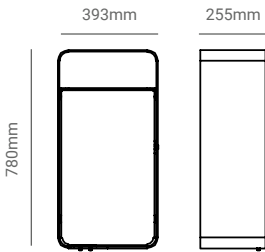


BOX LITTER BIN RANGE

This collection showcases a standout litter bin designed with a heavy duty frame crafted from 6mm thick steel sheet. The flexible design is available in three sizes and four unique door styles, these bins can also be equipped with a stainless steel ashtray upon request. Each bin includes a convenient bag holder ring and a rain cover, ensuring functionality and weather resistance. Additional accessories are available on request

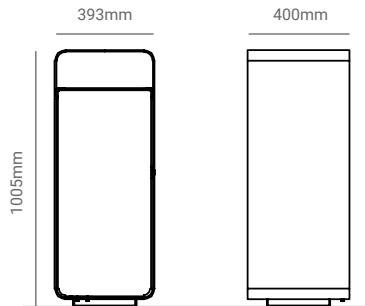
Dimensions

Small (Wall Mounted)



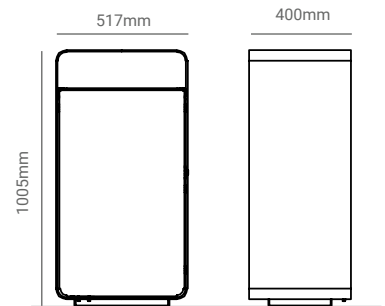
Capacity: 55L (Box Solid 50L)

Medium



Capacity: 110L (Box Solid 100L)

Large



Capacity: 150L (Box Solid 135L)

Door Options

Box WOOD

Ipe wood



Box SOLID

Steel sheet with vinyl stickers or screen printed lettering (see page 2)



Box IRON

Steel sheet decorated with circular holes



Box LINE

Vertical steel rods.





LITTER BIN FACIA OPTIONS / SCREEN PRINTING & VINYL STICKERS

We offer a variety of printing options and finishes across our litter bin ranges, including the Box, Bund, Pack, Yes, and Spencer models that feature a flat steel door design.

Screen / Pad Printing

Screen / Pad Printing provides a vivid, durable finish that is ideal for outdoor use, as it resists fading and withstands scratches, making it well-suited for high-traffic areas.

Advantages

- Highly durable/resistant to wear/scratches/fading.
- Vibrant, bold colours/seamless look/detailed design.
- Cheaper option for large orders

Disadvantages

- Longer setup time/higher initial costs.
- Less flexibility for design changes



Vinyl Stickers

Vinyl stickers are an alternative option for applying graphics to litter bin doors - often easier and faster to apply and can be easily removed or replaced if needed.

Advantages

- Quick to apply, cost-effective, and easy to replace
- Allows colourful, and customisable designs.

Disadvantages

- Prone to peeling and fading over time.
- Less durable, may require more frequent replacements.



The Box litter bin range is further complemented by the **Pack litter bin** and the three compartment **Bund litter bin**;



Pack Litter Bin

Featuring a sturdy metal sheet structure, a fixed and an openable door with a triangular lock and key. The openable door includes an in-built ashtray. The litter bin comes in two sizes and versions, with or without an ashtray.



Bund Litter Bin

Rectangular litter bin with a thick steel sheet frame, closed by a rear panel and three front doors with snap locks. It features a rain cover, three waste insertion conveyors, and three bag holder rings for separate collection.